

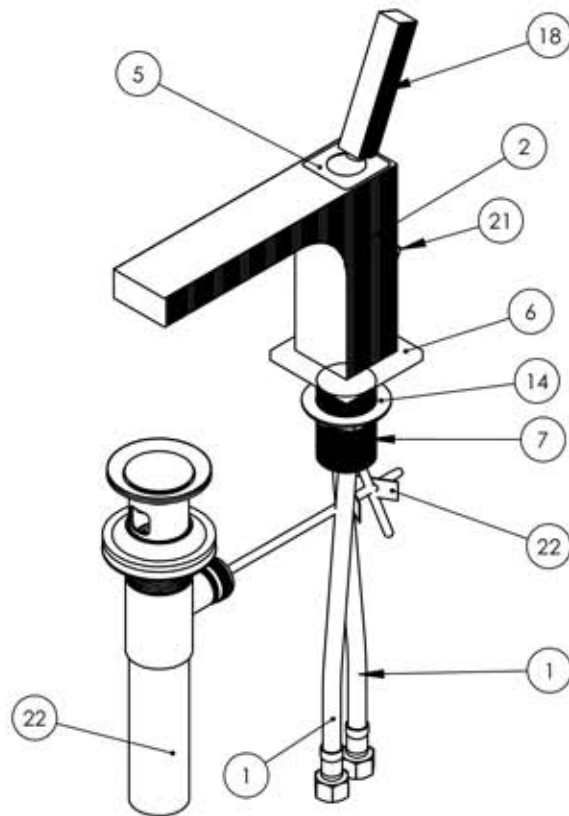
ITEM NO.	PART NUMBER	DESCRIPTION	QTY.
1	10561	HOSE, M8 EXT. - 3/8 COMP. X 16"L	2
2	11045/00	SHORT BODY, SINGLE LEVER LAV 291 EDGE SERIES	1
3	10868	PUCK, SINGLE LEVER LAV	1
4	10869	NUT, CARTRIDGE, SINGLE LEVER	1
5	10870/00	COVER, SINGLE LEVER LAV	1
6	11042/00	BASE, SINGLE LEVER LAV 291 EDGE SERIES	1
7	10872	MOUNTING TUBE, SINGLE LEVER LAV	1
8	10885	STSR CARTRIDGE ST325. Joystick 25mm	1
9	90024	O-RING, 1-1/8"ID X 1-1/4"OD X 1/16"THK, AS-568-024	1

A

B

C

D



ITEM NO.	PART NUMBER	DESCRIPTION	QTY.
10	90026	O-RING, AS-568-026	1
11	90031	O-RING, 1-3/4"ID X 1-7/8"OD X 1/16"THK, AS-568-031	1
12	90120	O'RING, - #120	1
13	90122	O-RING, 1-1/8" ID X 3/32"THK, AS-568-122	1
14	92038-BL	NUT, FLANGED 1-1/4"-20 THREAD	1
15	92158	DOWEL PIN, 1/8" X 3/8"L	1
16	10873	HANDLE BASE, SINGLE LEVER LAV	1
17	92159	M3 X 10MM SOCKET HEAD SCREW, STAINLESS S.	1
18	11046/00	BLADE HANDLE, SINGLE LEVER LAV 291 EDGE SERIES	1
19	92008	SET SCREW, CUP POINT 8-32	1
20	10878/00	POP-UP ROD, SINGLE LEVER LAV	1
21	11044/00	POP-UP KNOB, SINGLE LEVER LAV EDGE	1
22	3-046/00	POP-UP DRAIN ASSEMBLY	1
	10790	BODY, POP-UP DRAIN	1
	92091	PLASTIC GASKET	1
	92089	MOUNTING NUT	1
	92090	NYLON WASHER	1
	90505	CONICAL GASKET, RUBBER	1
	90506	RIM GASKET DRAIN	1
	10791	DRAIN RIM	1
	10796	STOPPER ROD	1
	10795	GUIDE, POP-UP DRAIN	1
	10792	STOPPER DRAIN	1
	90507	GASKET, STOPPER DRAIN	1
	90508	GASKET, BALL ROD	1
	10794	BALL ROD	1
	92088	NUT, BALL ROD	1
	10793	TAIL TUBE	1
	92092	CLIP POP-UP	1
23	10428	AERATOR CACHE JUNIOR PCA 1.5 GPM, M21.5	1

ZONE	REV.	DESCRIPTION	DATE	APPROVED
REVISIONS				
<p>1261 LOGAN AVENUE COSTA MESA, CALIFORNIA 92626 PHONE: 714.361.4800 FAX: 714.617.3120</p> <p>PHYL RICH[®] Defining Luxury Since 1959</p>				
<p>PROPRIETARY AND CONFIDENTIAL</p> <p>THE INFORMATION CONTAINED IN THIS DRAWING IS THE SOLE PROPERTY OF RISS MANUFACTURING. ANY REPRODUCTION IN PART OR AS A WHOLE WITHOUT THE WRITTEN PERMISSION OF RISS MANUFACTURING IS PROHIBITED.</p>				

INTERPRET GEOMETRIC DIMENSIONING & TOLERANCING IN ACCORDANCE WITH ASME Y14.5-2009 & ASME Y14.41-2003 STANDARDS, UNLESS OTHERWISE SPECIFIED. DIMENSIONS ARE IN INCHES. TOLERANCES ARE:	FRACTIONS			DECIMALS			ANGULAR			
	±1/64"			X.X: ±.1			X.XX: ±.01			
				X.XXX: ±.005			±.5°			
NEXT ASSY	USED ON		APPLICATION		NAME		DATE			
MATERIAL					DRAWN		CA		11/15/2013	
FINISH					CHECKED					
DO NOT SCALE DRAWING										

SINGLE HOLE FUCET, BLADE HANDLE, STRIA SERIES, LOW SPOUT

SIZE	ASM/PRT NO.	REV
A	291L-06/00	
SCALE: 1:8	WEIGHT: lbs.	SHEET 1 OF 2

5

4

3

2

1